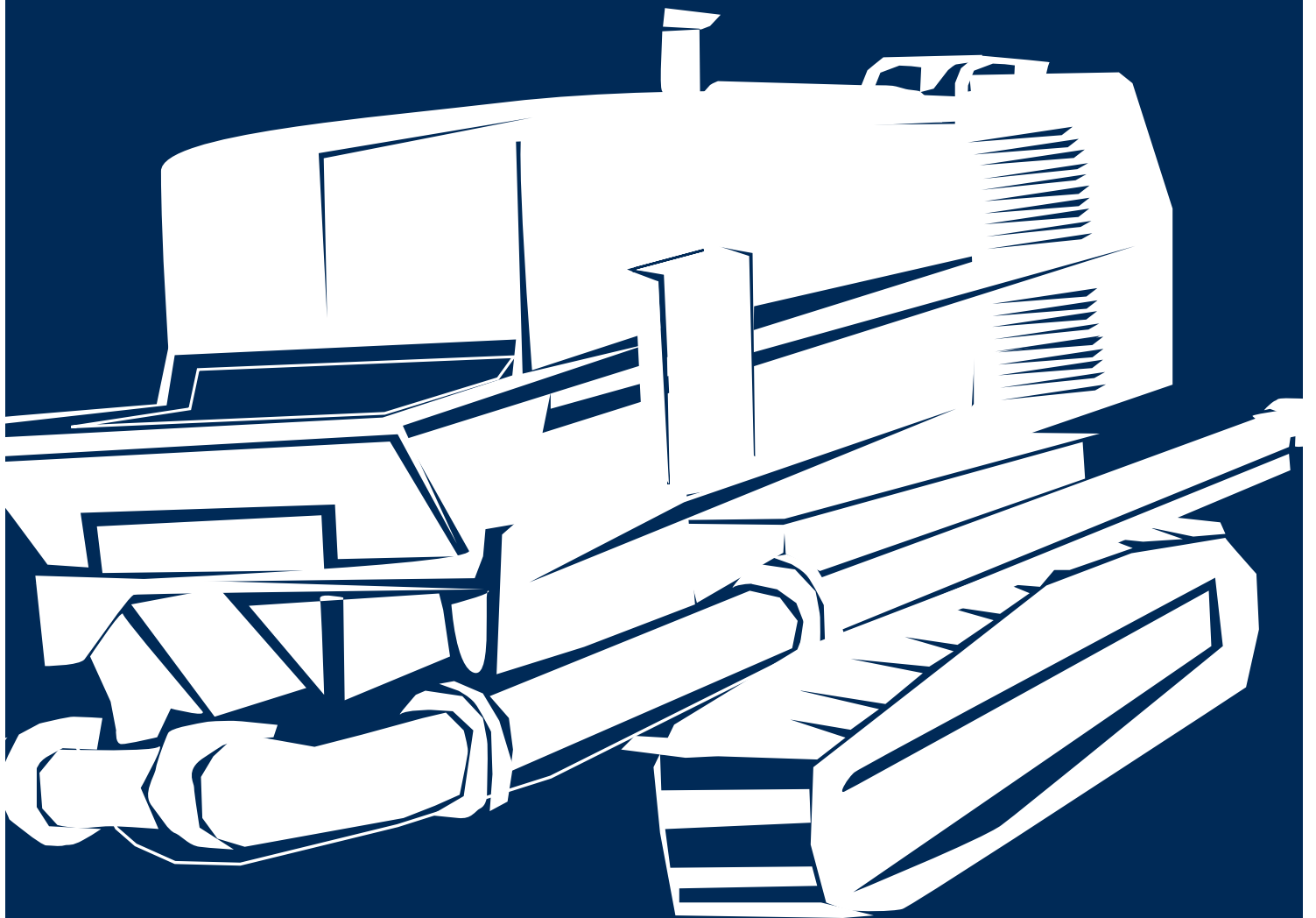


CONCRETE PUMPS

JOB SITE EQUIPMENT



CONCRETE PUMPS

JOB SITE EQUIPMENT

A new model

Main characteristics:

- Pump body developed and produced by Soilmec
- New hydraulic pump shifting system with electric proximity switches
- New hydraulic piston pump with "S" valve
- Easy access to pump assembly for quick exchange of sealings.
- Soundproof machine cover

Optional items:

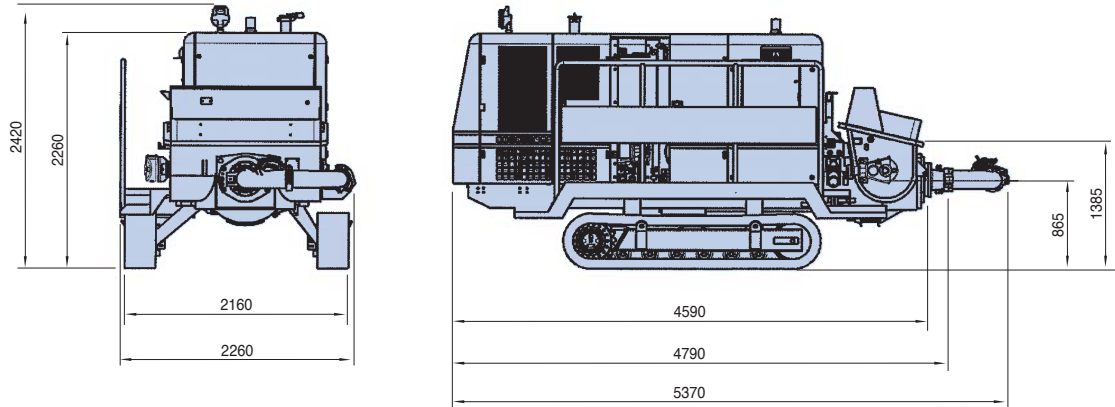
- Additional tank x compressed air: 25 l capacity (total capacity 50 l)
- Portable welding machine
- High pressure water pump



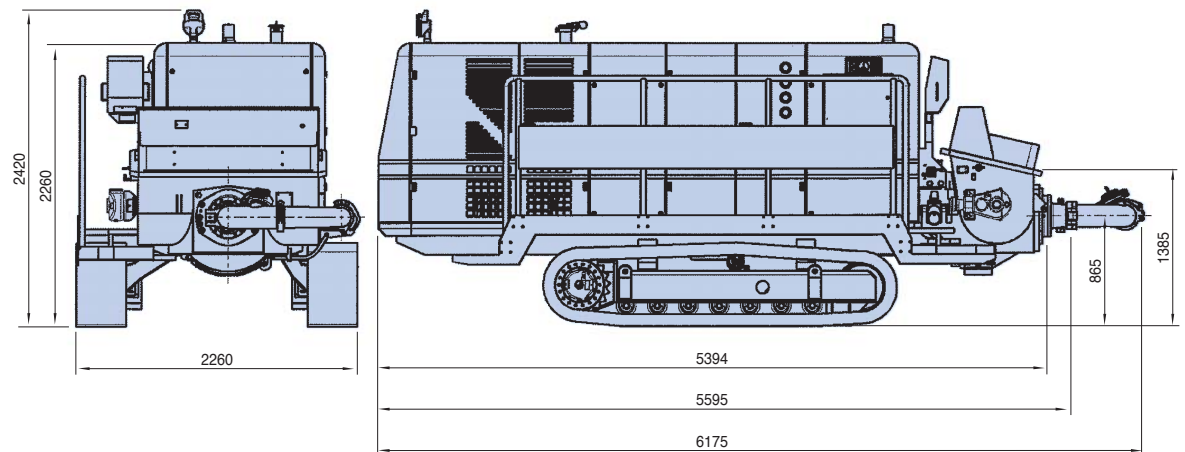
CONCRETE PUMPS

JOB SITE EQUIPMENT

Model SP-80



Model SP-110



Model		SP-80	SP-110
Nominal power	kW	95	124
Engine	type	DEUTZ TCD 2012 L04 2V	DEUTZ TCD 2013 L04 2V
Cylinder diameter	mm	230	230
Cylinder stroke	mm	1200	1500
Displacement	l	50	62
Hopper capacity	l	600	600
Hydr. oil tank	l	300	480
Cleaning water tank	l	480	600
Cycles per minute	n	28	29
Delivery	m ³ /h	84	110
Gate pressure	bar	50	50
Air compressor output	l/m	1200	1200
Air compressor pressure	bar	10	10
Gate diameter	mm	5" - 6"	5" - 6"
Pump weight	kg	8000	9500
Undercarriage class	type	25 C	FL4

SOILMEC distributes machinery and structures all over the world, supported by SOILMEC subsidiary companies and representative offices as:

SOILMEC LTD - Peterborough - U.K.
SOILMEC MISR S.A.E. Co. - Il Cairo - Egypt
SOILMEC (H.K.) Limited - Hong Kong
SOILMEC JAPAN CO LTD - Tokio - Japan
SOILMEC S.P.A. - Beijing Repr. Office - P.R. China
SOILMEC FAR EAST PTE.LTD - Singapore
SOILMEC ARABIA LLC - Jeddah - Saudi Arabia
SOILMEC EMIRATES - Dubai - U.A.E.
SOILMEC GULF - Dubai - U.A.E.
SOILMEC FRANCE S.A.S. - Paris - France
SOILMEC INDIA - Mumbai - India
SOILMEC S.P.A. - Moscow Repr. Office - Russia
SOILMEC DEUTSCHLAND GmbH - Drolshagen - Deutschland
SOILMEC NORTH AMERICA - Boston - U.S.A.
SOILMEC AUSTRALIA - Sydney - Australia
PSM S.R.L. - Treviso - Italy
WATSON INC. - Texas - U.S.A.

CERTIFIED QUALITY SYSTEM

In 1990 Soilmec was awarded with the certification of its Quality System complying with ISO 9001:2000 and ISO 14001:2004 standards.



SOILMEC S.p.A.

Drilling and Foundation Equipment

5819, via Dismano
47023 Cesena (FC) - Italy
tel. +39-0547-319111
fax +39-0547-318548
[http:// www.soilmec.it](http://www.soilmec.it)
e-mail: soilmec@soilmec.it

All technical data are purely indicative and subject to change without notice